

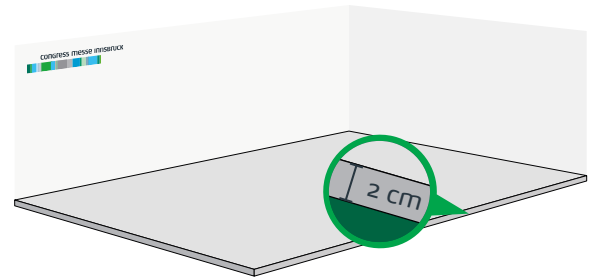
General rules:

→ Ramp structures must be integrated within the stand area

- Mobile ramps are permitted
- Show trailers must be accessible, or alternatively an accessible or ground-level space for discussions must be provided

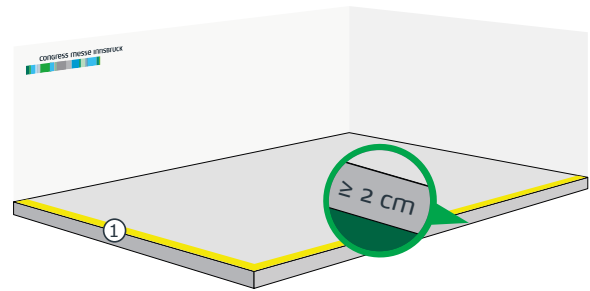
Platform height: 0 – 2 cm

= Maximum permitted barrier without further measures



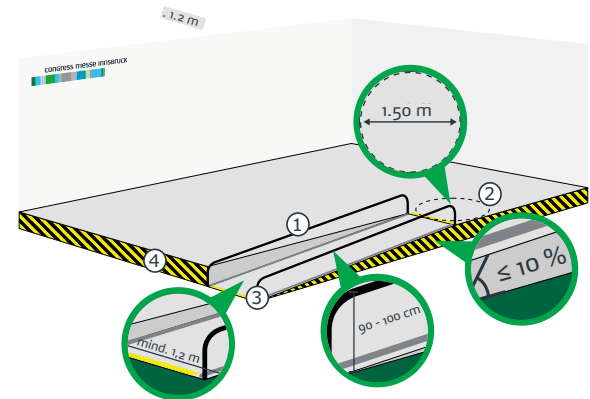
Platform height: 2 – 18 cm

- Contrasting markings for entrance and exit ①



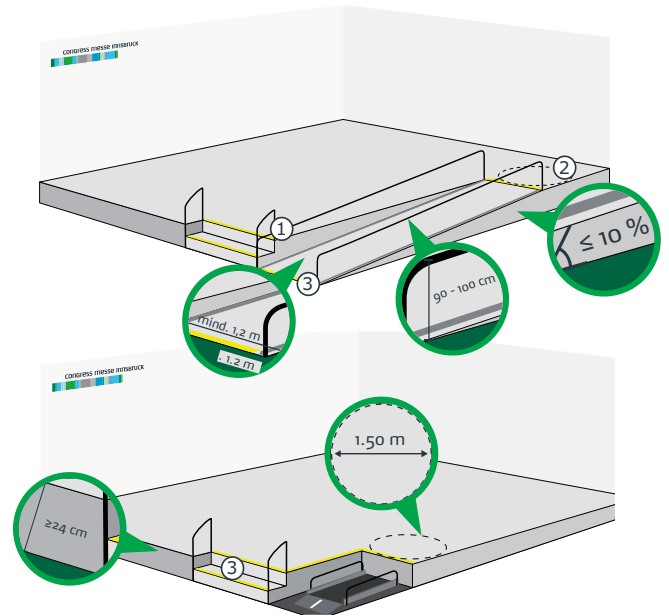
Platform height: 18 – 24 cm

- Ramp:
 - ✓ Minimum width = 1.2 m
 - ✓ Handrail height ① = 0.9 – 1 m
 - ✓ Maximum incline = 10 %
 - ✓ Clear turning space after ramp exit ② at least 1.5 m
 - ✓ Contrasting markings for entrance and exit ③
- Contrasting marking on front edge of stand ④



Platform height: ab 24 cm

- Steps (each = 12 – 18 cm high):
 - ✓ Minimum width = 1.2 m
 - ✓ Handrail height ① = 0.9 – 1 m
 - ✓ Contrasting markings for front edge of steps ③
- Ramp:
 - ✓ Minimum width = 1.2 m
 - ✓ Handrail height ① = 0.9 – 1 m
 - ✓ Maximum incline = 10 %
 - ✓ Clear turning space after ramp/lift exit ② at least 1.5 m
 - ✓ Contrasting markings for entrance and exit ③
- *Alternative* → *lifting platform*:
 - ✓ *Integrated within the stand area*



Platform height: ab 60 cm

- Steps (each = 12 – 18 cm high):
 - ✓ Minimum width = 1.2 m
 - ✓ Handrail height ① = 0.9 – 1 m
 - ✓ Contrasting markings for front edge of steps ③
- Stairlift:
 - ✓ Clear turning space after lift exit ② at least 1.5 m
 - ✓ *Alternative* → *lifting platform*
 - ✓ *Integrated within the stand area*
- Secure exposed edge with railing ① (height = 0.9 – 1 m) or other barrier!

